



WESTERN STATES

where *innovation* happens everyday™



625 Commerce Center Drive
Fairfield, OH 45011
P: 513.863.4758
F: 513.863.3846

innovation@westernstates.com
www.westernstates.com

FIELD SERVICE BULLETIN

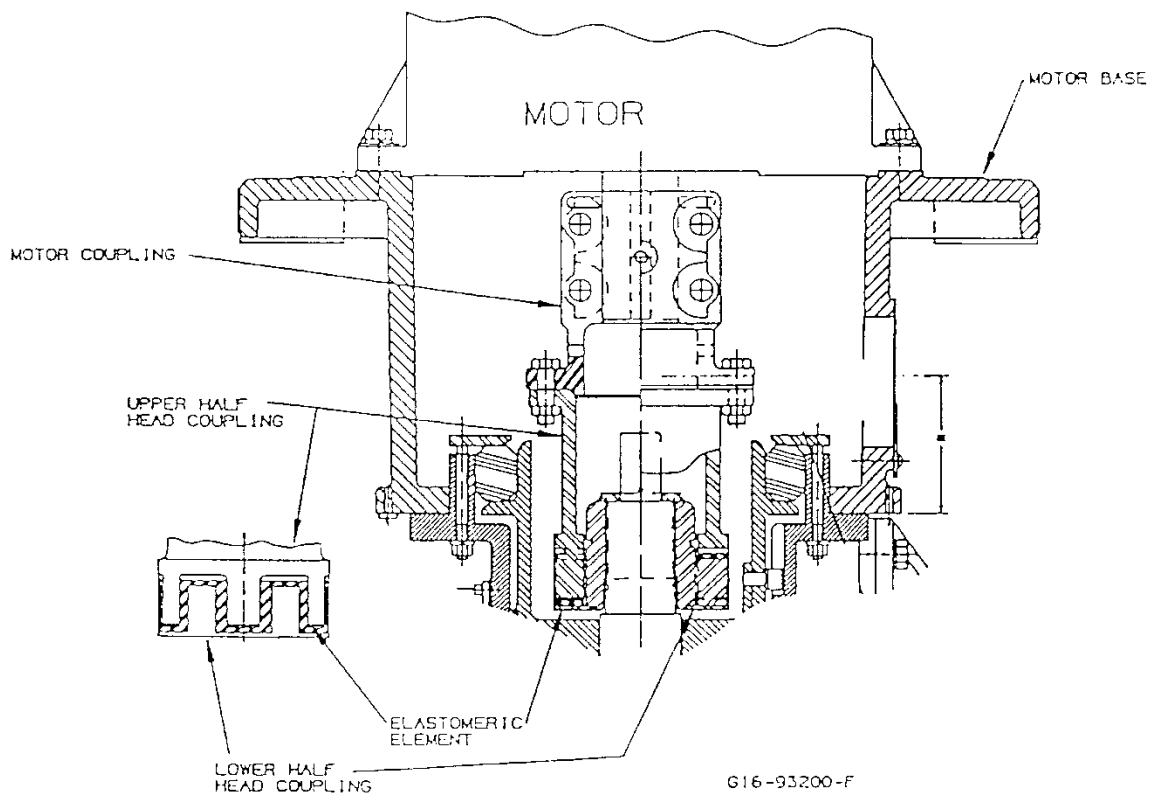
ELASTOMERIC HEAD COUPLING INSTALLATION

Date: June 18, 2013

To: All Customers with VFD Driven Batch Centrifuges (except G20 Head)

Subj: **ELASTOMERIC HEAD COUPLING INSTALLATION**

1. Refer to the following drawing for identification of the parts listed in this procedure.



CAUTION

Do not shortcut this procedure by bolting the Upper Half Head Coupling to the Motor Coupling and lowering the assembly into the Elastomeric Element. This can damage the Elastomeric Element and must not be attempted.



WESTERN STATES

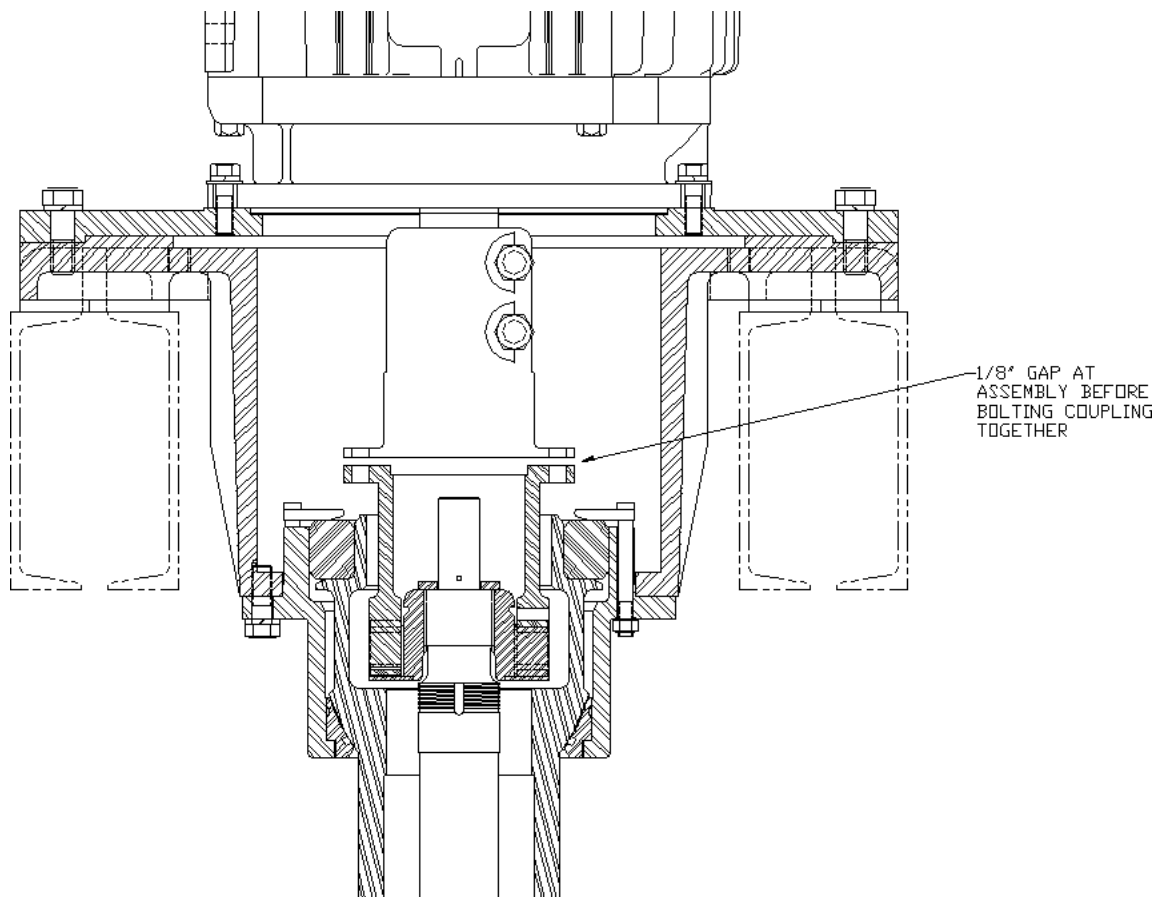
where *innovation* happens everyday™



625 Commerce Center Drive
Fairfield, OH 45011
P: 513.863.4758
F: 513.863.3846

innovation@westernstates.com
www.westernstates.com

2. Install the Elastomeric Element into the Lower Half Head Coupling. Make sure the Elastomeric Element is driven down completely by using a soft hammer or a piece of wood.
3. Install the Upper Half Head Coupling. Drive it down into the Elastomeric Element using a soft hammer or a piece of wood.
4. Lower the Motor making sure the Motor Coupling pilots into the Upper Head Half Coupling.
5. There should be a 1/8 inch gap between the Motor Coupling flange and the Upper Half Head Coupling flange faces. If not, remove the Motor and reposition the Motor Coupling on the Motor shaft. See the illustration below.



6. After the 1/8 inch gap is obtained, bolt the Motor Coupling and the Upper Half Head Coupling together with the supplied fasteners.



WESTERN STATES

where *innovation* happens everyday™



625 Commerce Center Drive
Fairfield, OH 45011
P: 513.863.4758
F: 513.863.3846

innovation@westernstates.com

www.westernstates.com

7. Bolt the Motor to the Motor Base or Adaptor Plate.

Following these procedures will maximize the life of the elastomeric element in your coupling assembly.

Any questions on these procedures should be addressed to the WSMC Field Service Department at 513-863-4758 or service@westernstates.com